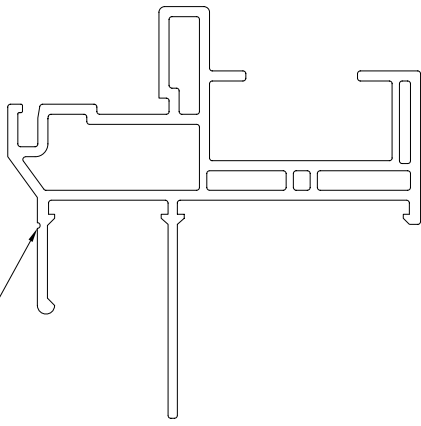
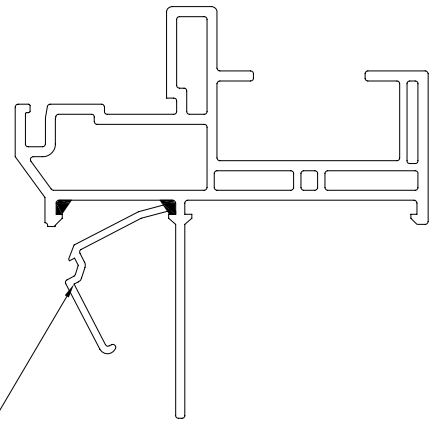


1



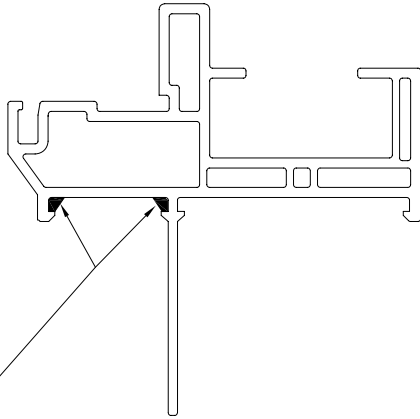
Finish Scoring and removing the integral J-channel from the window. Either remove the entire side or try to make a clean cut and butt the repair against the clean edge. If removing the entire side, try to create a mitred look as the original looked.

4



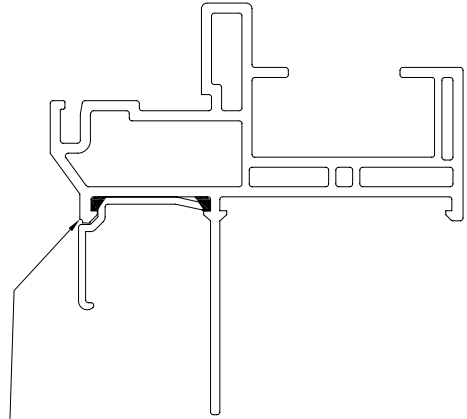
Begin installing repair J by "rocking" the part into place against the nail fin.

2



After removing damaged J-channel, apply appropriate colored bead of caulk in areas pointed out above.

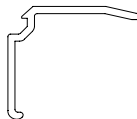
5



Finish installing by "snapping" the repair J into the snap leg on the frame.

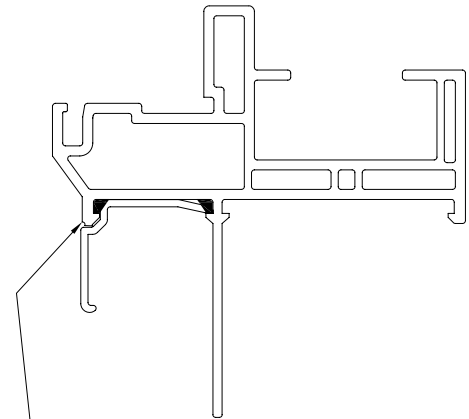
3

Cut repair J-Channel material to size.



Alside Product Code: UL0025
Imperial Die # R-715

6



Caulk the face as needed to blend in the look from the repair to the original J-channel.